

KEG COUPLERS and REPLACEMENT PARTS

D-Series Keg Couplers for Single Valve Domestic and Imported Kegs

Exclusive two-piece rotating probe helps prevent twisted beer lines. Nickel-plated, forged brass body with three internally mounted seals. Floating ball check valve equalizes line pressure. Relief valve vents over-pressurized kegs. Optional Locking Shield prevents accidental untapping. Converts for domestic or imported kegs by changing probe tip. Individually packed, 30 per case. Weight: 24 oz. each.

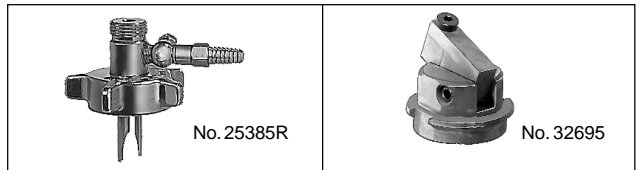
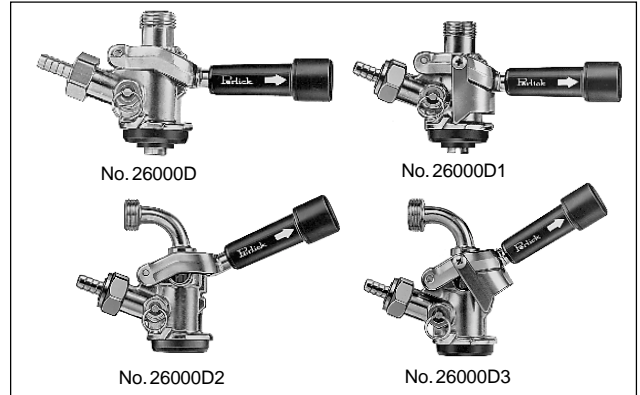
For Domestic Kegs

Part No.*	Description
26000D	Probe, less lock
26000D1	Probe, with lock
26000D2	Bent probe, less lock
26000D3	Bent probe, with lock

For Imported Kegs

Part No.*	Description
27500D	Probe, less lock
27500D1	Probe, with lock
27500D2	Bent probe, less lock
27500D3	Bent probe, with lock
27500E	E series less lock
27500E1	E series with lock

*To order for series installation, add suffix S to part number and deduct \$.65 from net price.



Keg Couplers for Dual Probe Kegs

Part No.	Description
25385R	Single keg coupler
28448	Series coupler (master)
28449	Series coupler (slave)

Lug Straightener for Single Valve Kegs

Part No.	Description
32695	Lug straightener

Item	Part No.	Description
1	32499A	Probe, less tip
2	32469A	90° bent probe, less tip
3	31079-1	Tip, domestic kegs
4	31478-1**	Tip, imported kegs
5	2026*	Hex nut
6	2068-1*	Tailpiece
7	23682-2P*	Check valve
8	31084-1	Retaining screw
9	43001A	Yoke less lock-domestic

Item	Part No.	Description
10	C14316	Buna-N O-ring
11	31080-2P	Ball check, poly
12	31089-2P	O-ring (3 per assy.)
13	157R2P*	Washer
14	31088-2P	Bottom seal washer
15	31087-2P	Probe washer, domestic
16	31479-1**	Probe washer, imported

Item	Part No.	Description
17	43061	Coupler body
18	32474-1	Wrench

Item	Part No.	Description
19	43461-1	Ball retainer-E Series

*These items are not included with Series Keg Couplers.

**Replacement part used exclusively for Keg Couplers for Imported Kegs.

Keg Coupler Replacement Parts

